



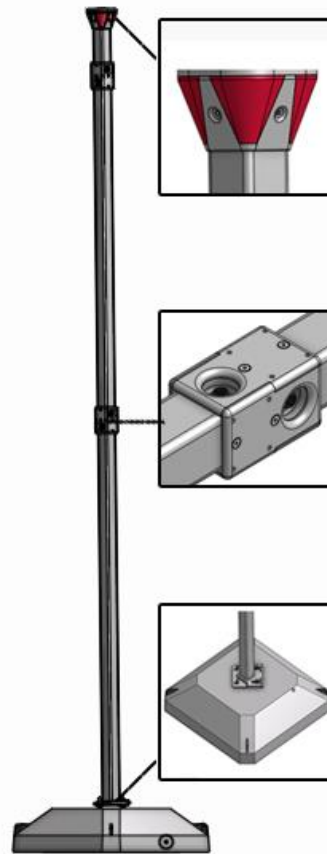
SC-TOWER FEATURES

- ▲ Rugged aluminum enclosure
- ▲ Mounting points for cameras, lighting
- ▲ Multiple possible configurations
- ▲ Web-managed system
- ▲ 1 year warranty

PRODUCT DESCRIPTION

At only 110 lbs (50kg), the towers are easily deployed by two workers. With a uniquely designed hinged base, the tower can be raised and lowered without heavy equipment. Making this a truly a re-deployable security tower.

The tower is twenty feet in height and provides mounting points for multiple components such as cameras, floodlighting, speakers, motion sensors, wi-fi antennas and other industry standard IP and POE devices. Each port supports a POE device with up to 60 watts of power allowing for winterized PTZ cameras.



The tower cap provides a 110 volt mounting point for external LED lighting.

Built in sirens and strobes can be remotely triggered by the end user.

Towers can be configured in 4 and 8 port configurations. Each port allows one Gigabit HiPOE connection, one DC power connection configurable to 5, 12, 24, 48 volts. One dry contact connection.

Each port is web-managed, user can reset, enable ports on demand. User can monitor power usage and bandwidth statistics of each port.

Tower base plate is uniquely designed to allow for easy setup and take-down using a battery operated hydraulic device with only two persons.

The electronics capsule fits safely into the bottom of the tower, protected from the elements and external tampering.